

D

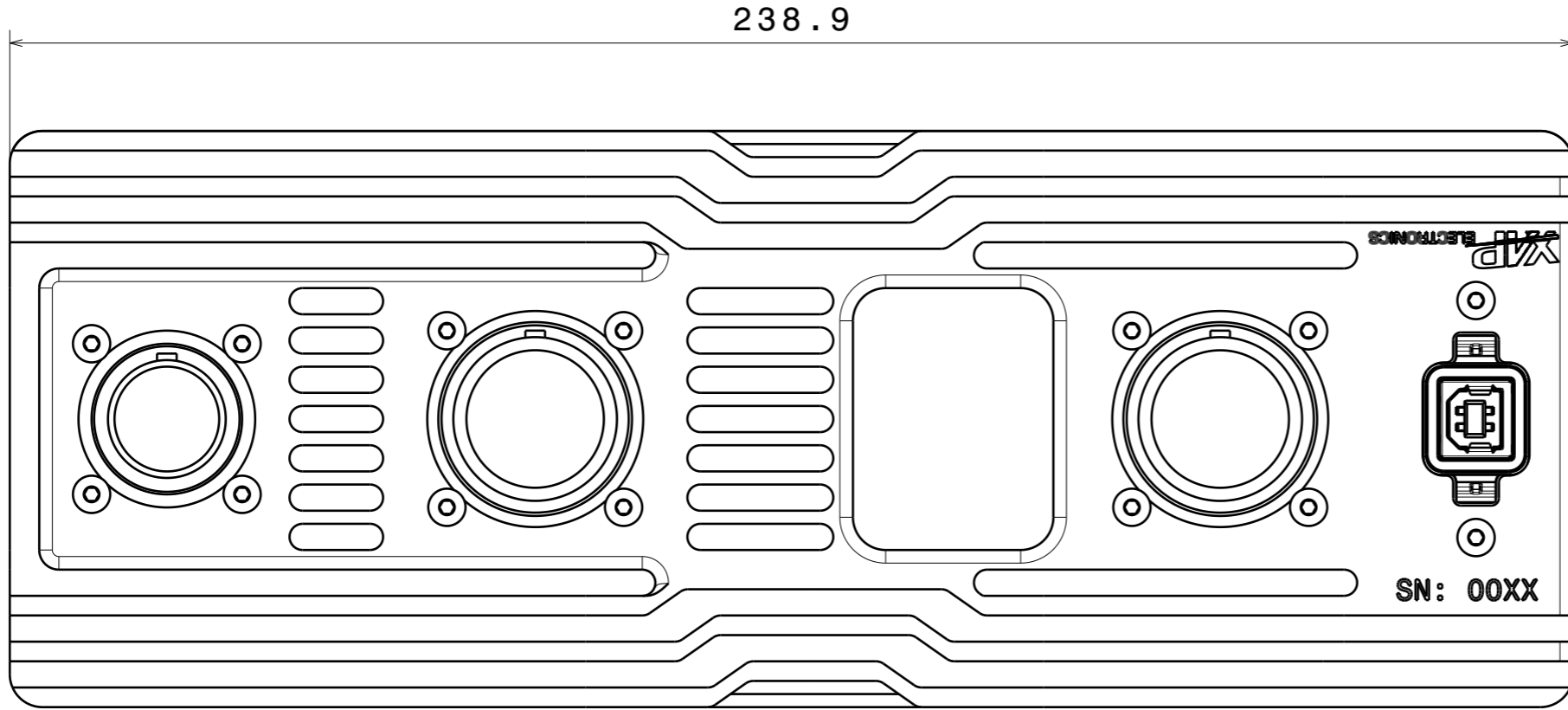
C

B

A

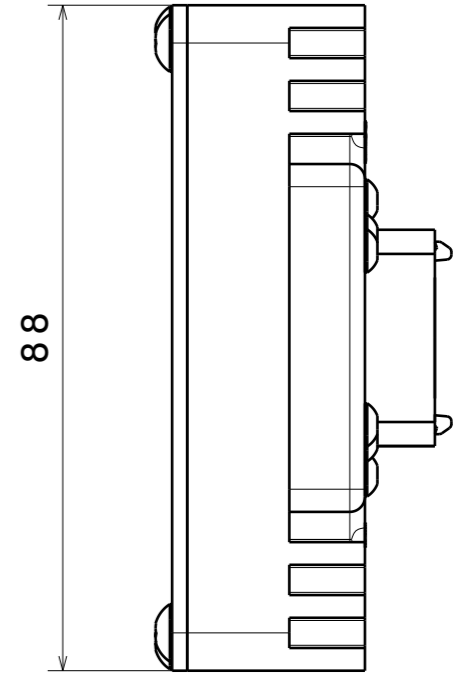
4

4



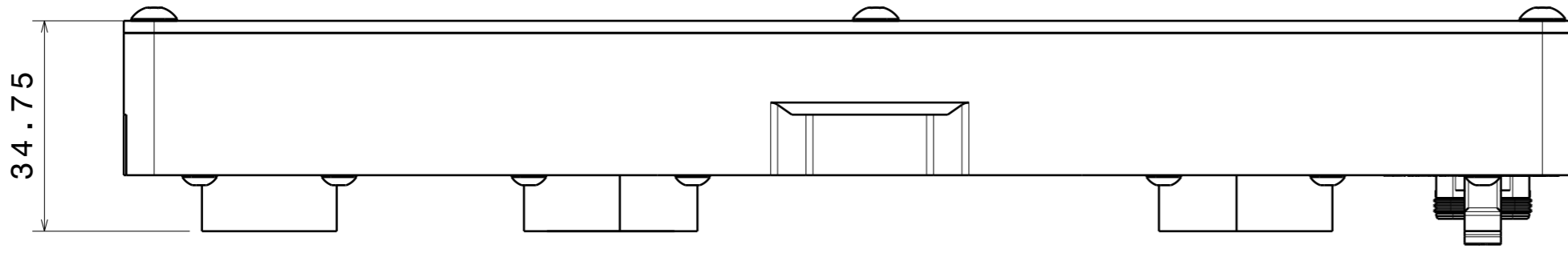
3

3



2

2



1

1

GENERAL TOLERANCES  
ISO 2768-mK

This drawing is our property.  
It can't be reproduced  
or communicated without  
our written agreement.



DRAWN BY <b>P. Thery</b>	DATE 26/08/15
MATIERE -	
TRAITEMENT -	

DRAWING TITLE <b>RTCM_CH_1</b>			
SIZE <b>A3</b>	DRAWING NUMBER <b>PR 0001 R EN</b>		REV -
SCALE 1:1	WEIGHT (g) 900	SHEET 1/1	

D

A